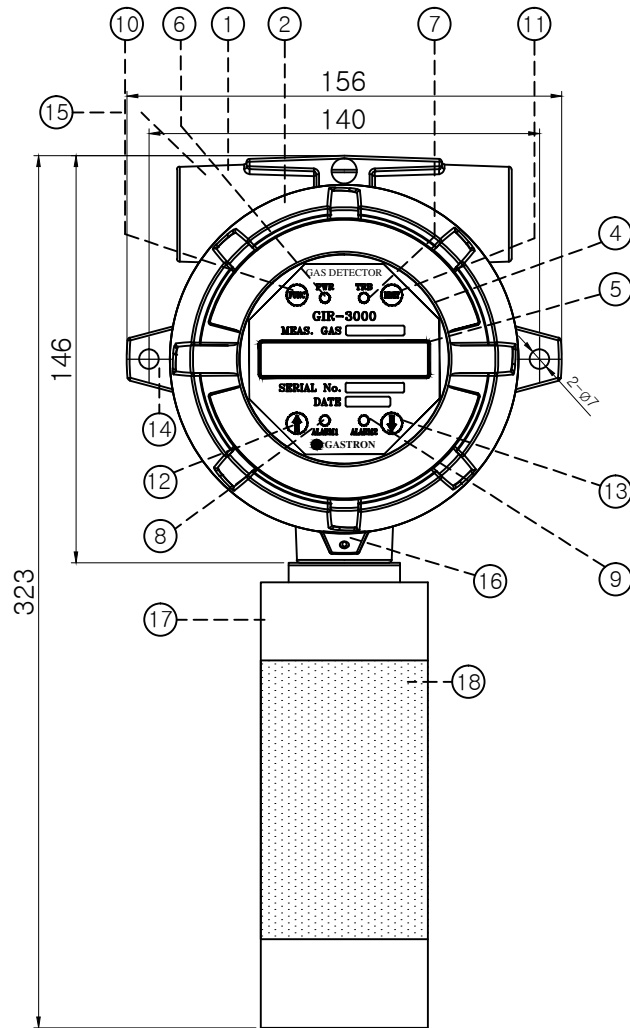
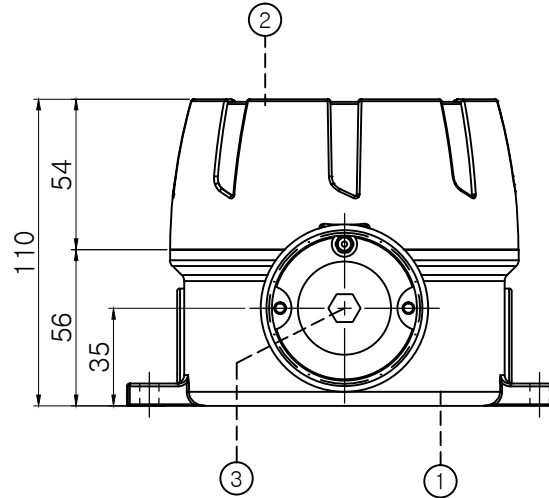


IR TYPE GAS DETECTOR (GIR-3000) DIMENSIONAL DWG.



FRONT VIEW



BOTTOM VIEW

BILL OF MATERIAL

No.	DESCRIPTION	MAT'L	Q'TY	REM'K
1	BODY CASE	ALDC	1	
2	HOUSING COVER	ALDC	1	
3	SOURCE TUBE	SUS 316	1	1/2"
4	DISPLAY WINDOW	HI GL	1	95mm/8.0
5	LCD DISPLAY		1	20 DIGIT
6	POWER LAMP	LED	1	GREEN
7	TROUBLE LAMP	LED	1	YELLOW
8	ALARM1 LAMP	LED	1	RED
9	ALARM2 LAMP	LED	1	RED
10	FUNCTION KEY		1	MAGNET
11	RESET KEY		1	MAGNET
12	SETTING KEY (▲)		1	MAGNET
13	SETTING KEY (▼)		1	MAGNET
14	MOUNT HOLE		1	6 mm
15	CABLE INLET		1	PF 3/4"
16	LENCH BOLE	SUS 304	1	M5-5mm
17	SENSOR HEAD	A6061	1	PF 3/4"
18	SPLASH GUARD	A6061	1	

GENERAL NOTES

- MODEL : GIR-3000
- FUNCTION : LOCAL LCD DISPLAY
INTELLIGENT SET-UP FUNCTION
TRANSMITTER TYPE
- SENSOR TYPE: CONTINUOUS DIFFUSION TYPE
- ENCLOSURE: Ex d IIC T6 IP67
- MEASURING RANGE : 0~100% LEL OR PPM
- RESPONSE TIME: T90 < 10sec
- ZERO DRIFT: 3%-FS/YEAR
- OPERATION TEMP : ELECTRONICS -20°C to 60°C
STANDARD SENSOR -20°C to 60°C
- OPERATION HUMIDITY : 5 TO 99% RH
- OPERATION POWER: 18~31V.DC / 400mA MAX
- OUTPUT SIGNAL: 4~20mA.DC/FS
- ALARM SIGNAL: 3 x SPST
- CABLE TYPE: CVV-S OR SVV-SB 3 WIRE > 1.5SQ

Rev.	Date	Description	Drawn	Checked	Approved

GASTRON CO.,LTD.
(Manufacture/Ansan,Korea)

LOCAL IR TYPE GAS DETECTOR
(GIR-3000) DIMENSIONAL DWG.

Project Name					
Drawing NO.					
Scale:None	Rev		Page		