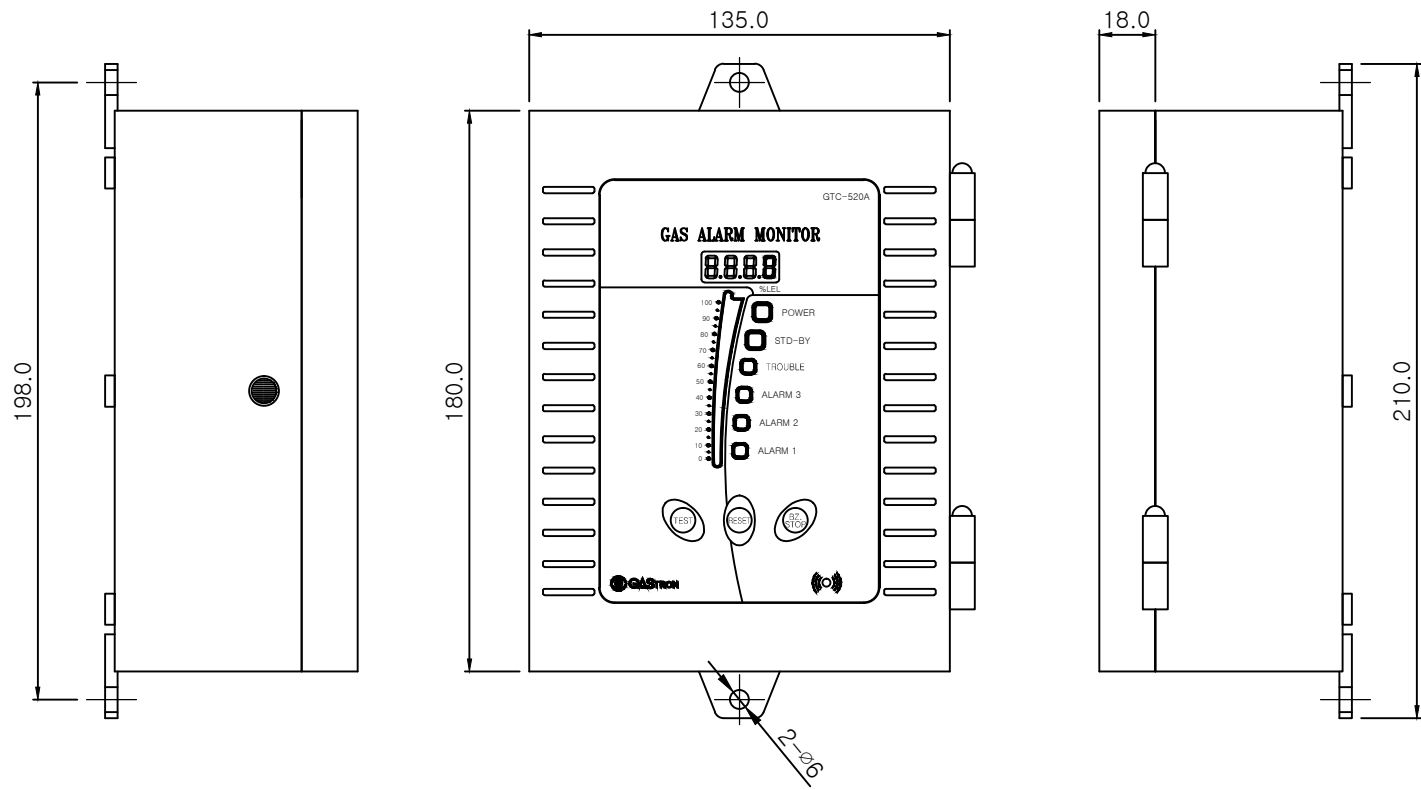


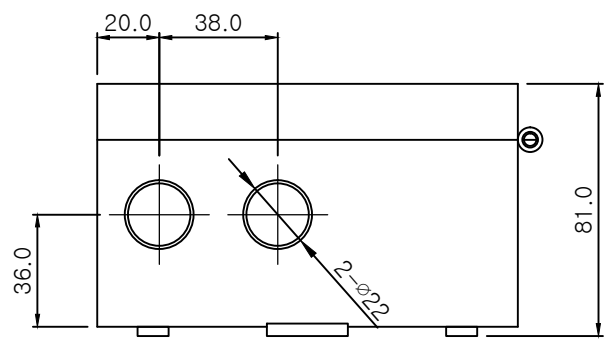
SINGLE TYPE CONTROL UNIT (GTC-520A) LAYOUT & DIMENSIONAL DWG



LEFT VIEW

FRONT VIEW

RIGHT VIEW



BOTTOM VIEW

BILL OF MATERIAL

No.	DESCRIPTION	MAT'L	Q'TY	REM'K
1				
2				
3				
4				
5				
6				
7				
8				
9				
10				
11				

GENERAL NOTES

- MODEL: GTC-520A
- FUNCTION: LOCAL DISPLAY CONTROL UNIT
- OPERATION DISPLAY : 6-LED
- MEASURING DISPLAY : 4-DIGIT FND & BAR-GRAPH
32ea LED
- MEASURING RANGE : 1 ~ 9999 / %LE, PPM, %VOL
- ALARM DISPLAY : 3-ALARM, TROUBLE LED
BUZZER
- ALARM OUTPUT SIGNAL : 3-ALARM, TROUBLE
/ AC250V 5A RELAY CONTACT (SPDT)
- INPUT SIGNAL : DC4-20mA (2 WIRE & 3 WIRE)
- OUTPUT SIGNAL : DC4-20mA
ISOLATED RS-485 MODBUS (OPTION)
- RESET SIGNAL : RESET REMOTE CONTROL
- OPERATING TEMPERATURE : -20°C ~ +50°C
- OPERATING HUMIDITY : 0 ~ 99%.RH
(NON-CONDENSING)
- OPERATING POWER : AC90V ~ 250V / 3.6W
DC24V (OPTION)

△					
△					
△					
△					

REV.	DESCRIPTION	DATE	REV'D	CHECKED	APP'D



PROJ. NO	
ITEM NAME	
DRAWING NAME	SINGLE TYPE CONTROL UNIT (GTC-520A) LAYOUT & DIMENSIONAL DWG
PROJECT DOC. NO.	
REV.	△