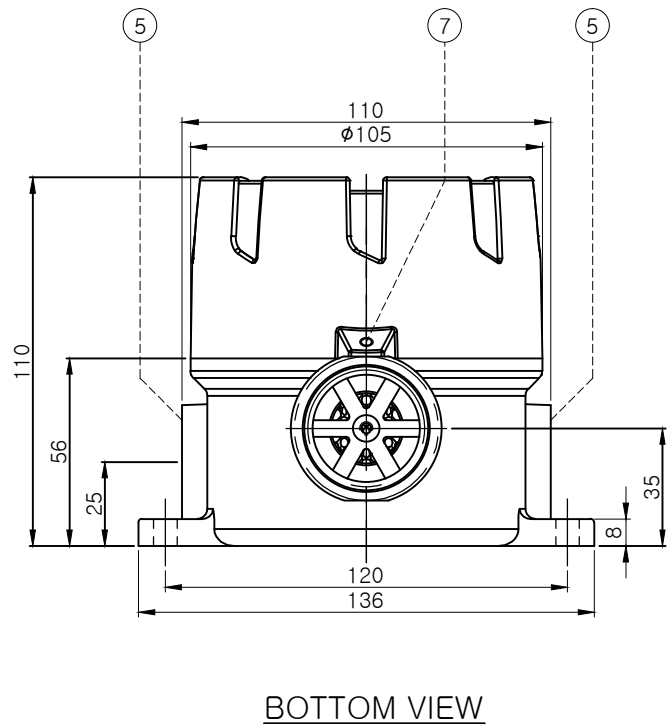
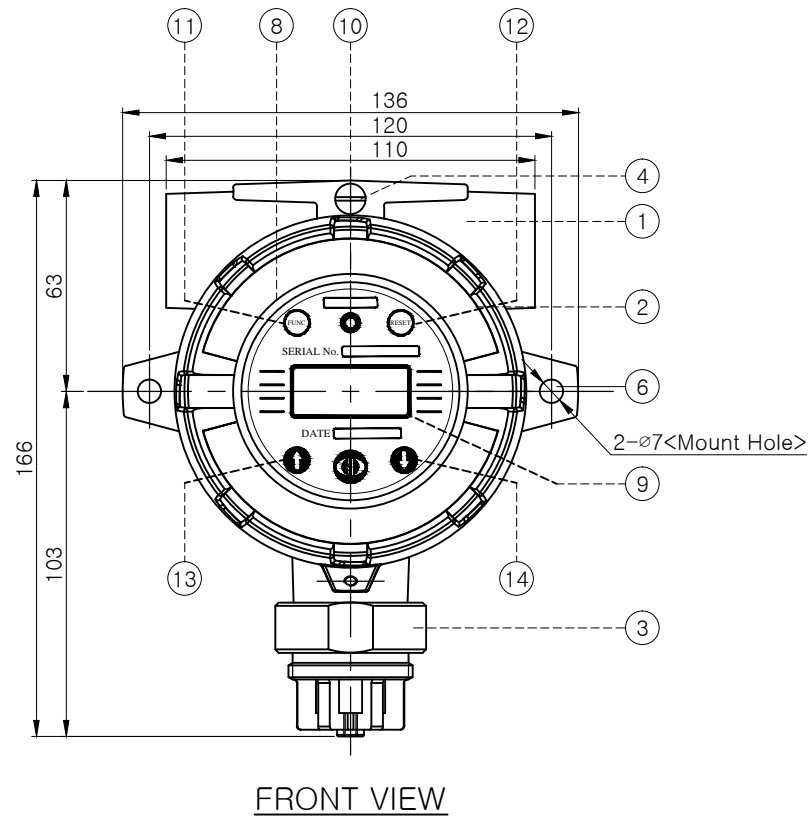


LOCAL COMBUSTIBLE GAS DETECTOR (GTD-2000Ex) LAYOUT & DIMENSIONAL DWG.



BILL OF MATERIAL				
NO	DESCRIPTION	MAT'L	Q'TY	REM'K
1	MAIN BODY	ALDC	1	
2	HOUSING COVER	ALDC	1	
3	SENSOR HEAD	STS316	1	
4	GND HOLE		1	5 mm
5	CABLE INLET		2	PF 3/4"
6	MOUNT HOLE		2	7 mm
7	LENCH BOLE	STS316	1	4 mm
8	DISPLAY WINDOW GLASS	HI GLASS	1	95mm/12t
9	LCD DISPLAY	STS316	1	8 characters
10	POWER LAMP	LED	1	GREEN
11	FUNCTION KEY		1	REMOTE MAGNET
12	RESET KEY		1	REMOTE MAGNET
13	SETTING KEY (↑)		1	REMOTE MAGNET
14	SETTING KEY (↓)		1	REMOTE MAGNET
15				
16				
17				
18				

**GENERAL NOTES**

- MODEL: GTD-2000Ex
- FUNCTION: LOCAL DISPLAY TRANSMITTER TYPE
- TYPE: DIFFUSION TYPE
- ENCLOSURE: Ex d IIC T5 (KCs) / Ex d IIC T4~T6(ATEx)
- DETECTABLE GAS : COMBUSTIBLE GAS
- MEAS. METHOD: CATALYTIC CELL TYPE
- MEAS. VALUE DISPLAY: 2-LINE LCD DISPLAY
- MEAS. RANGE: 0-100% LEL
- MEAS. SIGNAL: 4-20mA.DC/FS
- CALIBRATION: AUTOMATIC BY MAGNET & NO OUTPUT DURING CABRATION
- RESPONSE TIME: 15 SEC/90% SCALE
- ZERO DRIFT: 3%-FS/YEAR
- OPERATION TEMP.: -40 TO 80 deg.C
- OPERATION HUMIDITY: 5 TO 99% RH
- OPERATION POWER: 18-31V.DC / 200mA MAX
- SIGANL CABLE TYPE: CVVS & B 1.5SQ\*3C
- CABLE CONNECTION LENGTH: MAX. 2500M

Δ					
Δ					
Δ					
Δ					
REV.	DESCRIPTION	DATE	REV'D	CHECKED	APP'D

**GASTRON CO.,LTD.**  
(Manufacture/Ansan,Korea)

PROJ. NO	
ITEM NAME	GAS DETECTION & MONITORING SYSTEM
DRAWING NAME	LOCAL COMBUSTIBLE GAS DETECTOR (GTD-2000Ex) LAYOUT & DIMENSIONAL DWG.
PROJECT DOC. NO.	REV. <span style="float: right;">△</span>