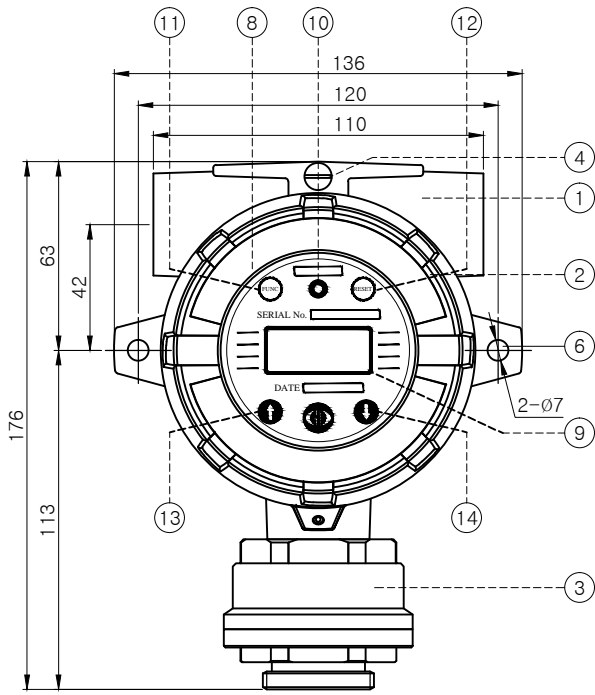
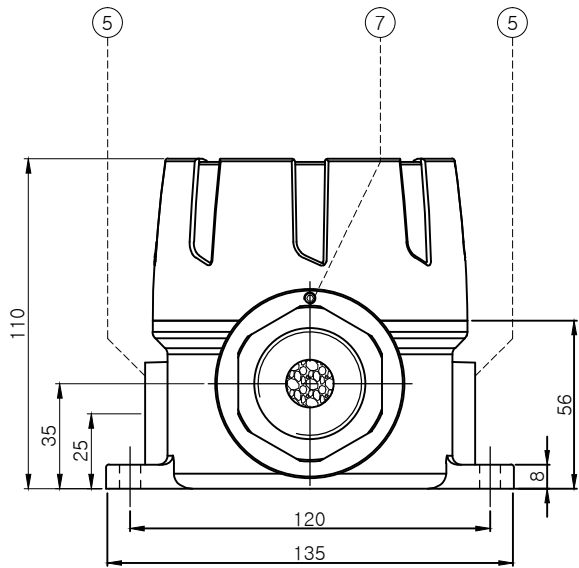


LOCAL TOXIC GAS DETECTOR (GTD-2000Tx) LAYOUT & DIMENSIONAL DWG.



FRONT VIEW



BOTTOM VIEW

BILL OF MATERIAL				
NO	DESCRIPTION	MAT'L	Q'TY	REM'K
1	MAIN BODY	ALDC	1	
2	HOUSING COVER	ALDC	1	
3	SENSOR HEAD	STS316	1	
4	GND HOLE		1	5 mm
5	CABLE INLET		2	PF 3/4"
6	MOUNT HOLE		2	7 mm
7	LENCH BOLE	STS316	1	4 mm
8	DISPLAY WINDOW GLASS	IHI GLASS	1	95mm/12t
9	LCD DISPLAY	STS316	1	8 characters
10	POWER LAMP	LED	1	GREEN
11	FUNCTION KEY		1	REMOTE MAGNET
12	RESET KEY		1	REMOTE MAGNET
13	SETTING KEY (↑)		1	REMOTE MAGNET
14	SETTING KEY (↓)		1	REMOTE MAGNET
15				
16				
17				
18				

GENERAL NOTES

- MODEL: GTD-2000Tx
- FUNCTION: LOCAL DISPLAY TRANSMITTER TYPE
- TYPE: DIFFUSION TYPE
- ENCLOSURE: Ex d IIC T6 (KCs) / Ex d IIC T4-T6(ATEX)
- DETECTABLE GAS : TOXIC GAS
- MEAS. METHOD: ELECTRO CHEMICAL DRY CELL TYPE
- MEAS. VALUE DISPLAY: 2-LINE LCD DISPLAY
- MEAS. RANGE: PPM
- MEAS. SIGNAL: 4-20mA.DC/FS
- CALIBRATION: AUTOMATIC BY MAGNET & NO OUTPUT DURING CABRATION
- RESPONSE TIME: 45 SEC/90% SCALE
- ZERO DRIFT: 3%-FS/YEAR
- OPERATION TEMP.: -40 TO 80 deg.C
- OPERATION HUMIDITY: 5 TO 99% RH
- OPERATION POWER: 18-31V.DC / 200mA MAX
- SIGANL. CABLE TYPE: CVVS & B 1.5SQ\*3C
- CABLE CONNECTION LENGTH: MAX. 2500M

**GASTRON CO., LTD.**

<b>Title</b>	GTD-2000Tx		
<b>Subject</b>	Dimension		
<b>Material</b>	.	<b>Scale</b>	1/2
<b>Projection</b>		<b>Units</b>	mm
<b>Part No.</b>	.	<b>Sheet</b>	1/1
<b>DWG. No.</b>	GRMI-DTEX-21000001		

GENERAL NOTE

1. Tolerance Limits : ±0.3
2. .
3. .
4. .

<b>Drawn</b>			
<b>Checked</b>			
<b>Approved</b>			2008.10.16
<b>Rev.</b>	<b>Description</b>	<b>Date</b>	<b>DWG. No.</b>