

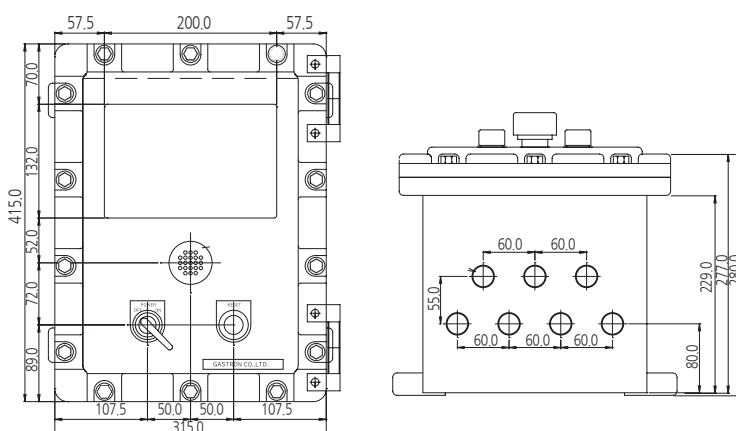
GTC-200F Series Multi Channel Explosion Proof Type Gas Detector Receiver

| Usable in explosion hazardous area with flame proof structure | Integrated type receiver with built-in Microprocessor | Gas concentration display with 4-digit & Bar-graph (32 segment, 3-color LED) | 3-color display according to alarm stages (Green, Yellow, Red) | 3-stage alarm, 1-trouble LED display and relay contact output | Easy configuration of monitoring system with RS-485 Modbus isolated serial data communication(Optional) | Programmable alarm setting (Level, Time delay) | Peak hold | Self diagnosis | HVAC & DP Card Option |

IMAGE



DIMENSION (Unit : mm)



ACCESSORIES



RS-485 module

SPECIFICATION

※ Specifications are subject to be changed without prior notice.

EXPLOSION PROOF TYPE GAS DETECTOR RECEIVER GTC-200F SERIES		
Model	GTC-200A COMMON (ALARM UNIT)	GTC-200A CHANNEL (DENSITY INDICATING UNIT)
Operation display	8-LED (Power, 3-stage alarm, Trouble, Buzzer stop, PC & channel data communication)	6-LED (Power, 3-stage alarm, Trouble Stand-by for maintenance)
Measuring display		4-Digit FND & Bar-graph (32 segment, 3-color LED)
Measuring range		1~9999 (programmable)(%LEL, ppm, % Vol)
Alarm display	Visual : 3-stage alarm, Trouble LED Audible : buzzer	Visual : 3-stage alarm, Trouble LED
Alarm output signal	3-stage alarm, Trouble, Buzzer AC250V 3A relay contact (SPDT)	3-stage alarm, Trouble, Buzzer AC250V 3A relay contact (SPDT)
Alarm level set		Programmable within detection range
Input signal		4-20mA DC (2-wire or 3-wire)
Output signal	Isolated RS-485 Communication Modbus (option)	4-20mA DC
Reset signal	Reset switch and remote control	Reset switch
Program set mode		Alarm value (1, 2, 3 alarm) Alarm time (instant & delay) 1~30min Alarm dead band Relay output on/off
Operating temperature	-20°C ~ +40°C	
Operating humidity	5 ~ 99% RH (non-condensing)	
Battery power	Back-Up. power unit (option) 24V DC / 600mA, 1300mA (option)	
CERTIFICATION		
KCs	Ex d IIB+H2 T5	