



## 인텔리전트형 가스감지기 GTD-3000 series

### 안전합니다

- 2차 폭발을 방지하는 내압방폭 구조
- 자가진단 기능 내장
- 릴레이 접점 출력

### 정확합니다

- 가연성/독성/산소/VOC 등의 가스 연속 감지
- Back-light를 내장한 LCD or OLED 표시

### 간편합니다

- 디스플레이에서 교정 및 프로그램 설정
- 작업자 1인으로 교정 및 유지 보수

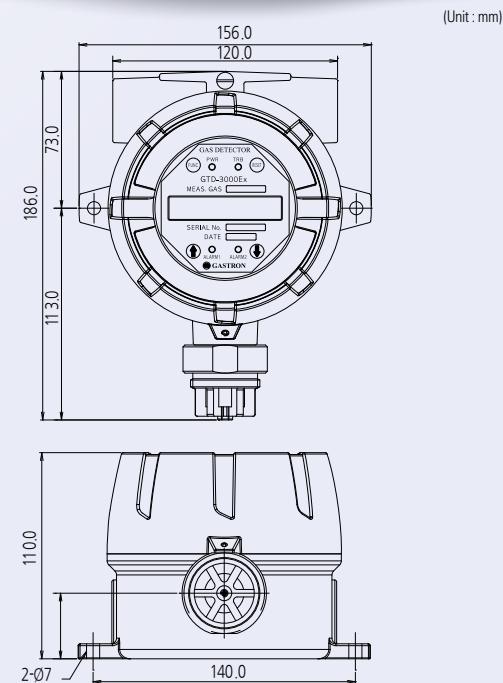
### 그 외

- 4-20mA(Current source or Sink) 출력
- RS-485 Modbus 통신
- 감지기 부착형 방폭 알람 경광등과 연동

### ACCESSORY



### DIMENSION



### 인텔리전트형 가연성 가스감지기

구분	내용		
Measuring gas	Flammable gases (LNG, LPG, H2, Methane, Buthane & etc)		
Measuring method	Catalytic cell	Hot wire semiconductor cell	Thermal conductivity cell
Measuring range	0~100% LEL	0~2000ppm	0~100% Vol
Response time	< 15sec / 90% scale		
Parameter control	Non intrusive control with a Magnet (calibration, maintenance, alarm setting)		
Dimensions	156(W) x 186(H) x 110(D)mm		
Weight	1.8kg		

### 인텔리전트형 산소&독성 가스감지기

구분	내용	
Measuring gas	O2	Toxic gases(CO, Cl2, NH3 & etc)
Measuring method	Galvanic cell or Electrochemical cell	Electrochemical cell
Measuring range	Refer to Toxic Gas Measuring Range	
Response time	< 15sec / 90% scale	< 45sec / 90% scale
Parameter control	Non intrusive control with a Magnet (calibration, maintenance, alarm setting)	
Dimensions	156(W) x 196(H) x 110(D)mm	
Weight	2.0kg	

### SPECIFICATION

※ Specifications are subject to be changed without prior notice

INTELLIGENT & LOCAL DISPLAY TYPE OXYGEN & TOXIC GAS DETECTOR	
Model	GTD-3000 series
Measuring type	Diffusion type
Accuracy	±3% / Full scale
Operation mode display	4-LED (Power, 2-stage alarm, 1-trouble)
Measuring value display	LCD display (Built in back light 2-Line, 16 characters) / OLED Type (Option)
Alarm signal output	2A@30VDC, 0.5A@125VAC (resistive load) / 3-SPST relay contact(2stage alarm, 1 trouble)
Output signal	Analog : 4-20mA Analog Output / Maintenance signal : 4mA / Calibration signal : 3mA / Fault signal : 0mA Digital : RS-485 Modbus(Option)
Conduit connection	Standard : PF 3/4" Option : NPT 1/2", NPT3/4", M20 x 1.5P, M25 x 1.5P
Mounting type	2" Pole mount, Wall mount, Duct mount
Operating temperature	-20°C ~ +60°C
Operating humidity	5 ~ 99%.RH (non-condensing)

### CERTIFICATION

KCs	Ex d IIC T6	NEPSI	Ex d IIC T6 Gb
CE / KC / CPA	Refer to website		