

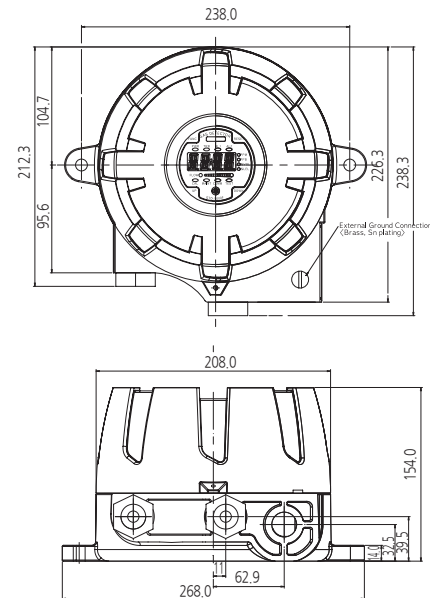
GTD-5000F Explosion Proof Type Sampling VOC Gas Detector

| Continuous detection of VOC gas in explosion hazardous area with flame proof structure | Self diagnosis function with built-in Microprocessor | Easy replacement with a cartridge type sensor | Digital flow sensor to maintain regular flow rate | Fast response of gas leakage with a high efficient pump inside | Low concentration VOC gas detection by PID sensor | Stable quality and proved detection principle for service life | Auto calibration and program setting with a magnet bar | 4-digit digital gas concentration display | 4-20mA (Current source or Sink) output signal | Easy configuration of monitoring by RS-485 Modbus | 3-wire connection for signal & power | 2-stage alarm, 1-trouble display and relay contact output | Calibration and maintenance by one-man |

IMAGE



DIMENSION (Unit : mm)



ACCESSORIES



Cable Gland



Male Connector



Micro Filter



RS-485 module



Mounting Bracket

SPECIFICATION

※ Specifications are subject to be changed without prior notice.

EXPLOSION PROOF & SAMPLING TYPE VOC GAS DETECTOR			
Model	GTD-5000F		
Measuring gas	VOC gases(Benzene, Toluene, Xylene & etc)		
Measuring type	Auto Sampling type		
Measuring method	Photo-Ionization Detector(PID) or Semiconductor cell		
Measuring range	0 ~ 300ppm		
Response time	< 5sec / 90% scale		
Accuracy	±3% / Full Scale		
Parameter control	Non intrusive control with a Magnet bar (calibration, maintenance, alarm setting)		
Operation mode display	Alarm / Trouble LED, Flow rate		
Measuring value display	FND Display(4-Digit)		
Alarm signal output	2A@30VDC, 0.5A@125VAC (resistive load) / 3-SPST relay contact(2stage alarm, 1 trouble)		
Output signal	Analog output : 4-20mA DC, Digital outp		
Sampling method	Diaphragm Pump		
Sampling line	OD 1/4 "(Standard)		
Flow rate	0 ~ 1000 ml/min Max		
Conduit connection	Standard : PF 3/4" Option : NPT 1/2", N, M25 x 1.5P		
Mounting type	Wall mount		
Operating temperature	-40°C ~ +60 °C		
Operating humidity	5 to 99% RH (Non-condensing)		
Material	ALDC		
Dimensions	226.3(W) × 154(H) × 238(D) mm		
Weight	5kg		
CERTIFICATION			
KCs	Ex d IIC T6	NEPSI	Ex d IIB+H2 T6/T5 Gb
ATEX / IECEx	Ex d IIB+H2 T6/T5 Gb	CE / KFI / KC	Refer to website