

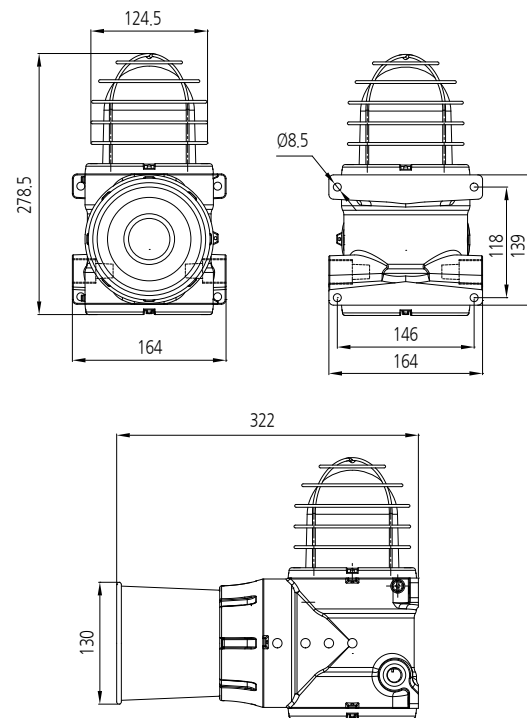
## GTL-200 Explosion Proof Type Sounder & Beacon Combination

| Combined Explosion-proof Sounder & Beacon using LED Light sources | Excellence of high effect of signal light radiation using our unique lens type luminescence system | Available of sound types & volume control with internal switch | Available in controlling the rotation speed of reflector | Available in various colors (Red, Yellow, Green, Blue) | Max Output : 120 dB | Available in setting options depend on field condition | A total of 64 sound files | AC or DC available |

### IMAGE



### DIMENSION (Unit : mm)



### SPECIFICATION

GTL-200 SERIES SPECIFICATION	
Product Type	LED Lens / Rotating Reflection
Material	Body : ALDC12, Reflector : heat-resistant ABS Lamp Lens : heat-resistant PC, GLASS : Explosion-proof Tempered glass, Protection case-SS316L
Sounder out put	MAX 120 dB
LED Color	Green, Red, Yellow, Blue (Choose 1)
Power Supply	AC110 / 220V 50-60Hz DC12-48V
Current Consumption	AC110V = 0.31A / AC220V = 0.2A MAX DC12V = 1.35A / DC24 = 0.8A / DC48V = 0.42A MAX
Operation Temp.	T6=-40 to 60°C / T5,T4=-40 to 70°C
Operation Humidity	0 to 95% RH (Non-condensing)
Conduct Connection	1/2" or 3/4" PF, NPT (3/4" PF standard feature)
Dimensions	164(W) X 278.5(H) X 322(177)(D) mm
Weight	App. 6.2kg
CERTIFICATION	
KCs	Ex d IIC T6, T5, T4
CE	Refer to website
ATEX / IECEx	ATEX / IECEx
	Ex d IIC Gb T6, T5, T4

## GTL-200B Explosion Proof Sounder

### SPECIFICATION

ITEM	SERIES SPECIFICATION
Product Type	Signal Phone
Material	Body - ALDC12, Flame Arrester - SS316L
Max	MAX 120 dB
Power Supply	AC110 / 220V 50-60Hz DC12-48V
Current Consumption	AC110V = 0.26A / AC220V = 0.17A MAX DC12V = 1.13A / DC24 = 0.74A / DC48V = 0.38A MAX
Operation Temp.	T6=-40 to 60°C / T5,T4=-40 to 70°C
Operation Humidity	0 to 95% RH (Non-condensing)
Conduct Connection	1/2" or 3/4" PF, NPT (3/4" PF standard feature)
Dimensions	164(W) X 139(H) X 322(177)(D) mm
Weight	App. 5.0kg
CERTIFICATION	
KCs	Ex d IIC T6, T5, T4
ATEX / IECEx	Ex d IIC Gb T6, T5, T4
CE / IP66	Refer to website



## GTL-200L Explosion Proof Warning Light

### SPECIFICATION

ITEM	SERIES SPECIFICATION
Product Type	LED Lens / Rotating Reflection
Material	Body : ALDC12, Reflector : heatresistant ABS Lamp Lens : heat-resistant PC, GLASS : Explosion-proof Tempered glass, Protection case - SS316L
LED Color	Green, Red, Yellow, Blue (Choose 1)
Power Supply	AC110 / 220V 50-60Hz DC12-48V
Current Consumption	AC110V = 0.08A / AC220V = 0.05A MAX DC12V = 0.36A / DC24 = 0.21A / DC48V = 0.15A MAX
Operation Temp.	T6=-40 to 60°C / T5,T4=-40 to 70°C
Operation Humidity	0 to 95% RH (Non-condensing)
Conduct Connection	1/2" or 3/4" PF, NPT (3/4" PF standard feature)
Dimensions	164(W) X 278.5(H) X 177(D) mm
Weight	App. 5.0kg
CERTIFICATION	
KCs	Ex d IIC T6, T5, T4
ATEX / IECEx	Ex d IIC Gb T6, T5, T4
CE / IP66	Refer to website



## GTL-200 Explosion Proof Combination

### SPECIFICATION

COMPOSITION TYPE	STRUCTURAL ELEMENTS
EX) TYPE -1	Warning Light(RED) + Sounder
EX) TYPE -2	Warning Light(RED) + Warning Light(BLUE)
EX) TYPE -3	Warning Light(RED) + Warning Light(YELLOW) + Warning Light(BLUE)
EX) TYPE -4	Warning Light(RED) + Warning Light(YELLOW) + Warning Light(BLUE) + Sounder
CERTIFICATION	
ATEX / IECEx	Ex d IIC Gb T6, T5, T4
CE / IP66	Refer to website

